

Sheet List	
Sheet Number	Sheet Name
DRI_0000	Index
DRI_JA07	Rib Profile Valley
DRI_JA11	Rib Profile Ridge Apex
DRI_JA12	Rib Profile Change Of Pitch
DRI_JA13	Rib Profile Head Barge Flashing
DRI_JA14	Rib Profile Head Parapet Flashing
DRI_JA15	Rib Profile Head Apron Flashing
DRI_JA17	Rib Profile Eaves Gutter
DRI_JA21	Rib Profile Penetration Flashing
DRI_JA23	Rib Profile Barge Flashing
DRI_JA26	Rib Profile Apron Flashing (Two Piece)
DRI_JC21	Corrugated Profile Penetration Flashing
DRI_JC23	Corrugated Profile Barge Flashing
DRI_JC26	Corrugated Profile Apron Flashing (Two Piece)
DRI_MB05	Gutter Detail
DRI_MB08	Lined Parapet Head Flashing
DRI_MB14	Step Flashing Extended Purlin Cleats
DRI_MB16	Rib Translucent Sheet Stop-end
DRI_MB17	Rib Ridge Apex
DRI_MB18	Rib Barge Flashing
DRI_MB23	Lined Parapet Side Flashing
DRI_MC16	Corrugated Translucent Sheet Stop-end
DRI_MC18	Corrugated Barge Flashing
DRI_MC23	Corrugated Lined Parapet Side Flashing

New Zealand Steel Ltd - Details

COLORSTEEL Dridex® Details Index

File: DRI_0000 - Index

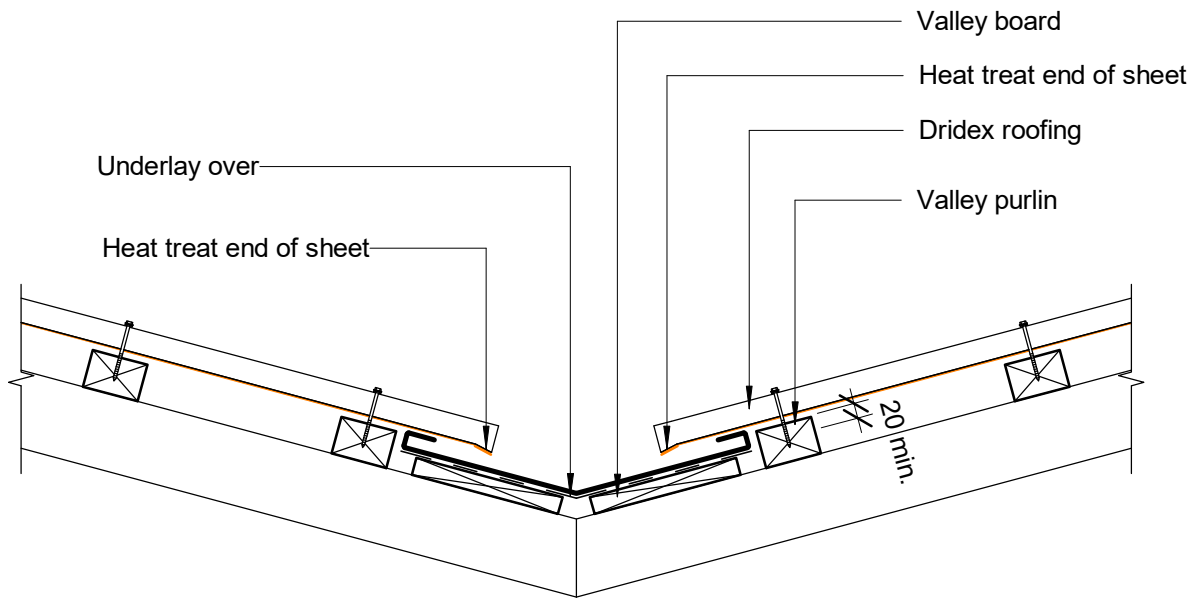
Scale:

Reference:

Date:

August 2021

DRI_0000



New Zealand Steel Ltd - Details

COLORSTEEL Dridex® Details
 Rib Profile Valley
 Cross Section

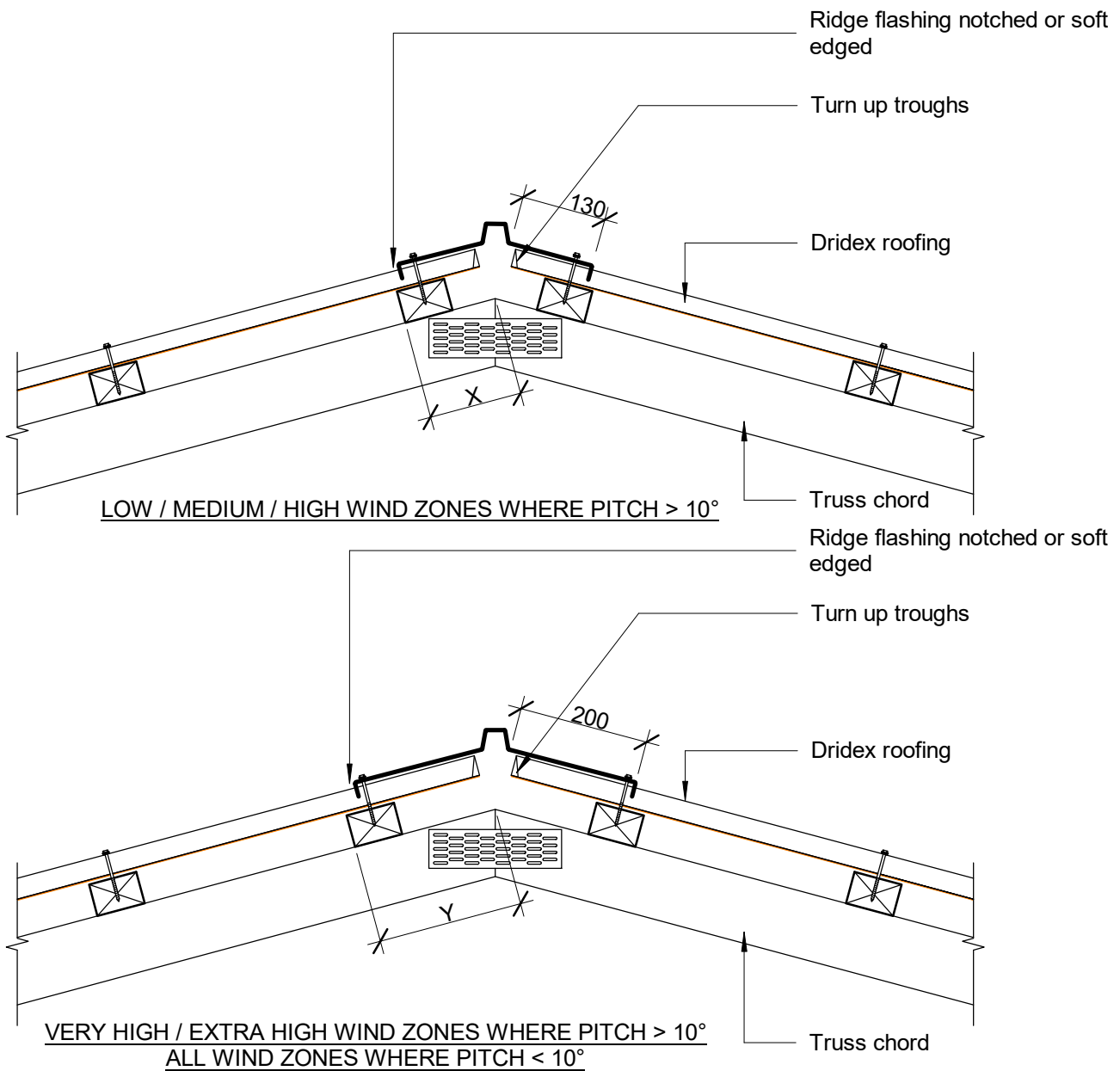
File: DRI_JA07 - Rib Profile Valley

Scale: 1 : 10

Date: January 2021

Reference:

DRI_JA07



Roof Pitch	8	10	15	20	25	30	35	45
Dimension X mm	168	167	162	156	150	143	134	115
Dimension Y mm	218	217	212	206	200	193	184	165

For standard ridge using ex 50mm purlins on flat

New Zealand Steel Ltd - Details

COLORSTEEL Dridex® Details
® Rib Profile Ridge Apex
 - Cross Section

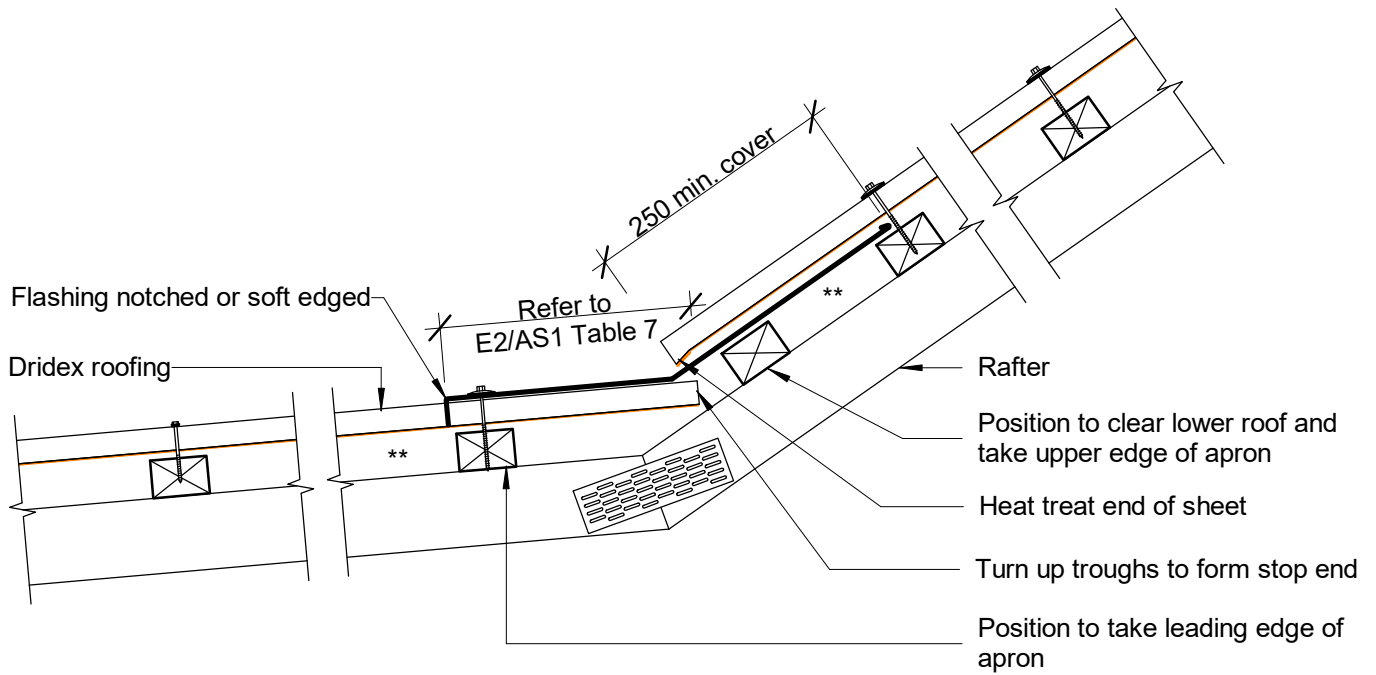
File: DRI_JA11 - Rib Profile Ridge Apex

Scale: 1 : 10

Date: January 2021

Reference:

DRI_JA11



New Zealand Steel Ltd - Details

COLORSTEEL Dridex® Details
 Rib Profile Change Of Pitch
 Cross Section

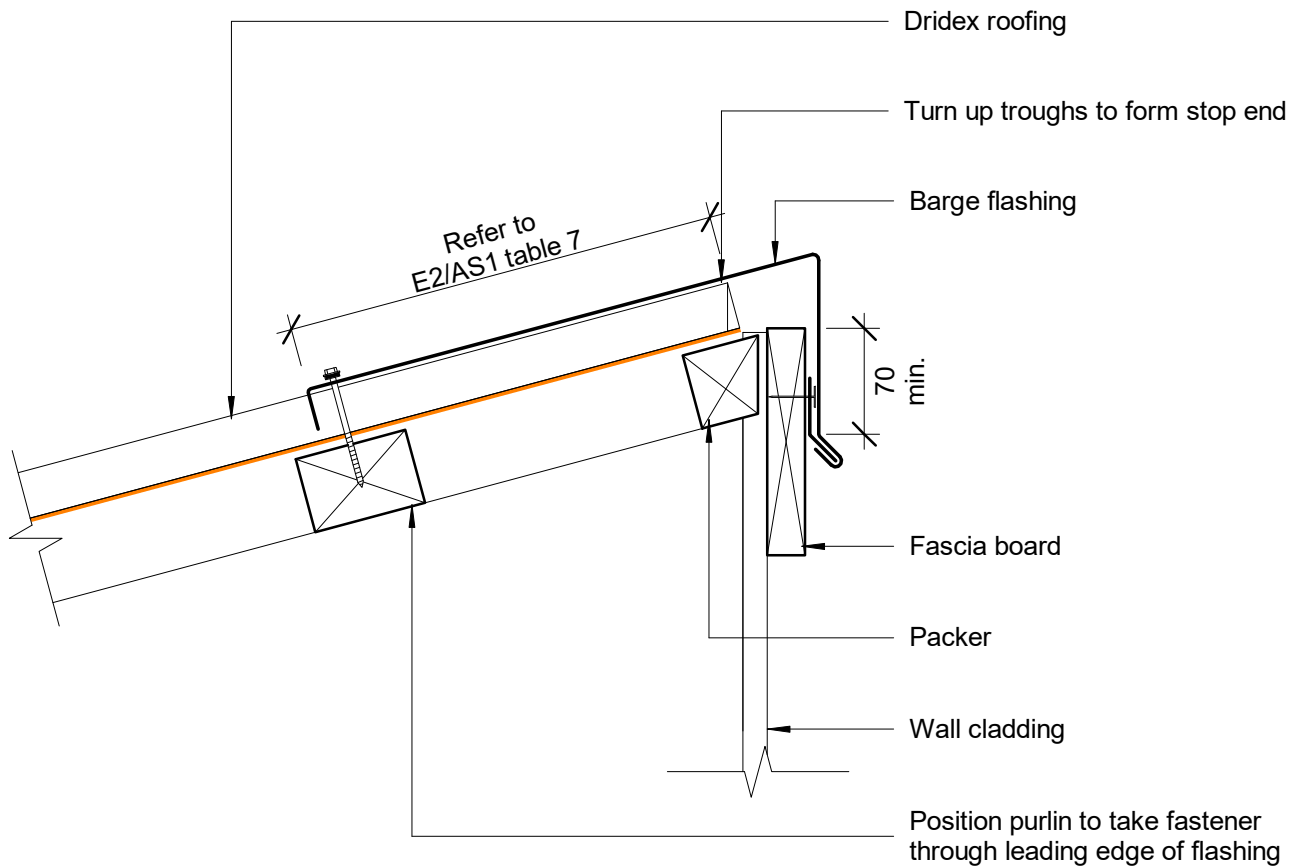
File: DRI_JA12 - Rib Profile Change Of Pitch

Scale: 1 : 10

Reference:

Date: January 2021

DRI_JA12



New Zealand Steel Ltd - Details

COLORSTEEL Dridex® Details
 Rib Profile Head Barge Flashing
 Cross Section

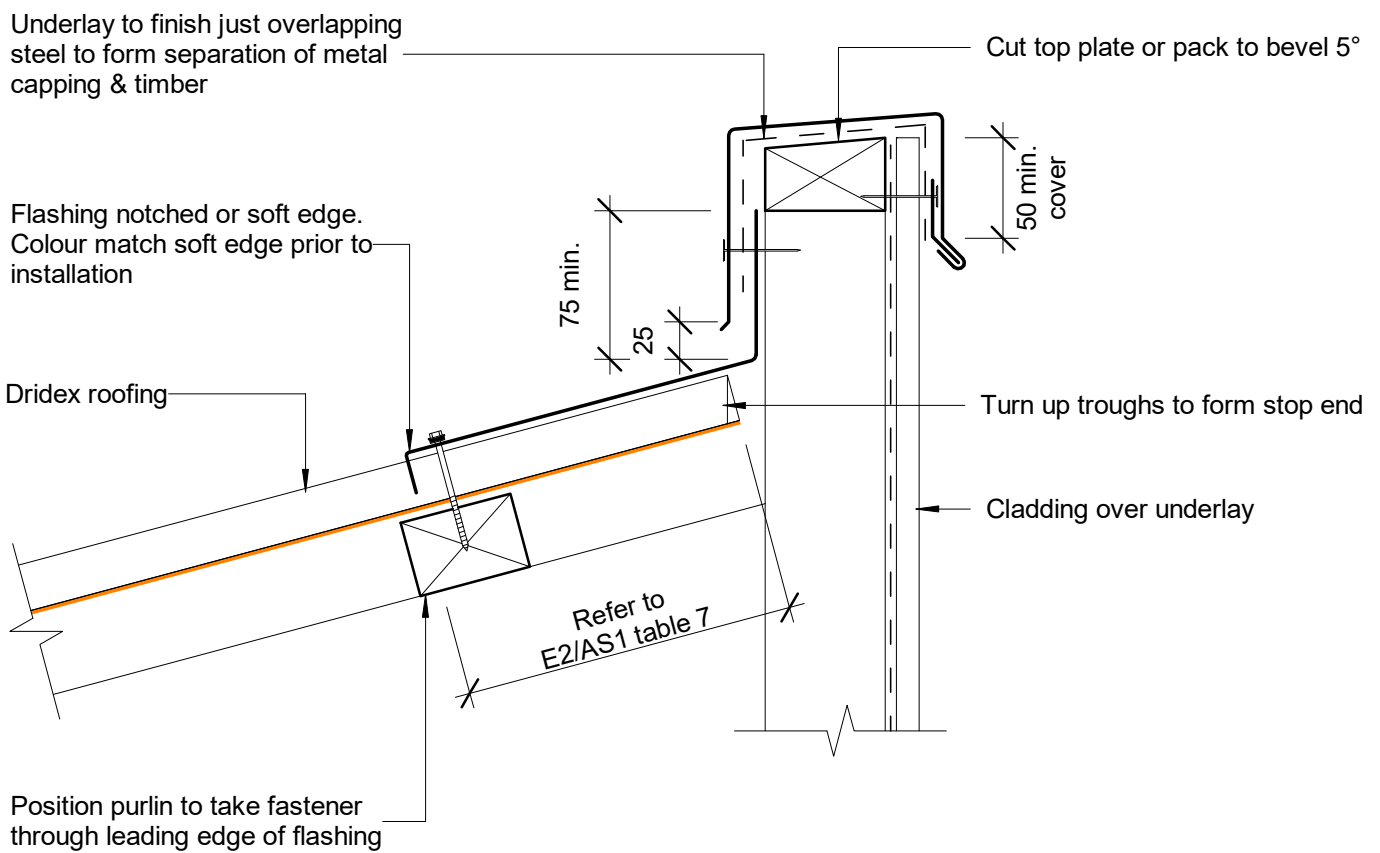
File: DRI_JA13 - Rib Profile Head Barge Flashing

Scale: 1 : 5

Reference:

Date: January 2021

DRI_JA13



New Zealand Steel Ltd - Details

COLORSTEEL Dridex® Details
® Rib Profile Head Parapet Flashing
 - Cross Section

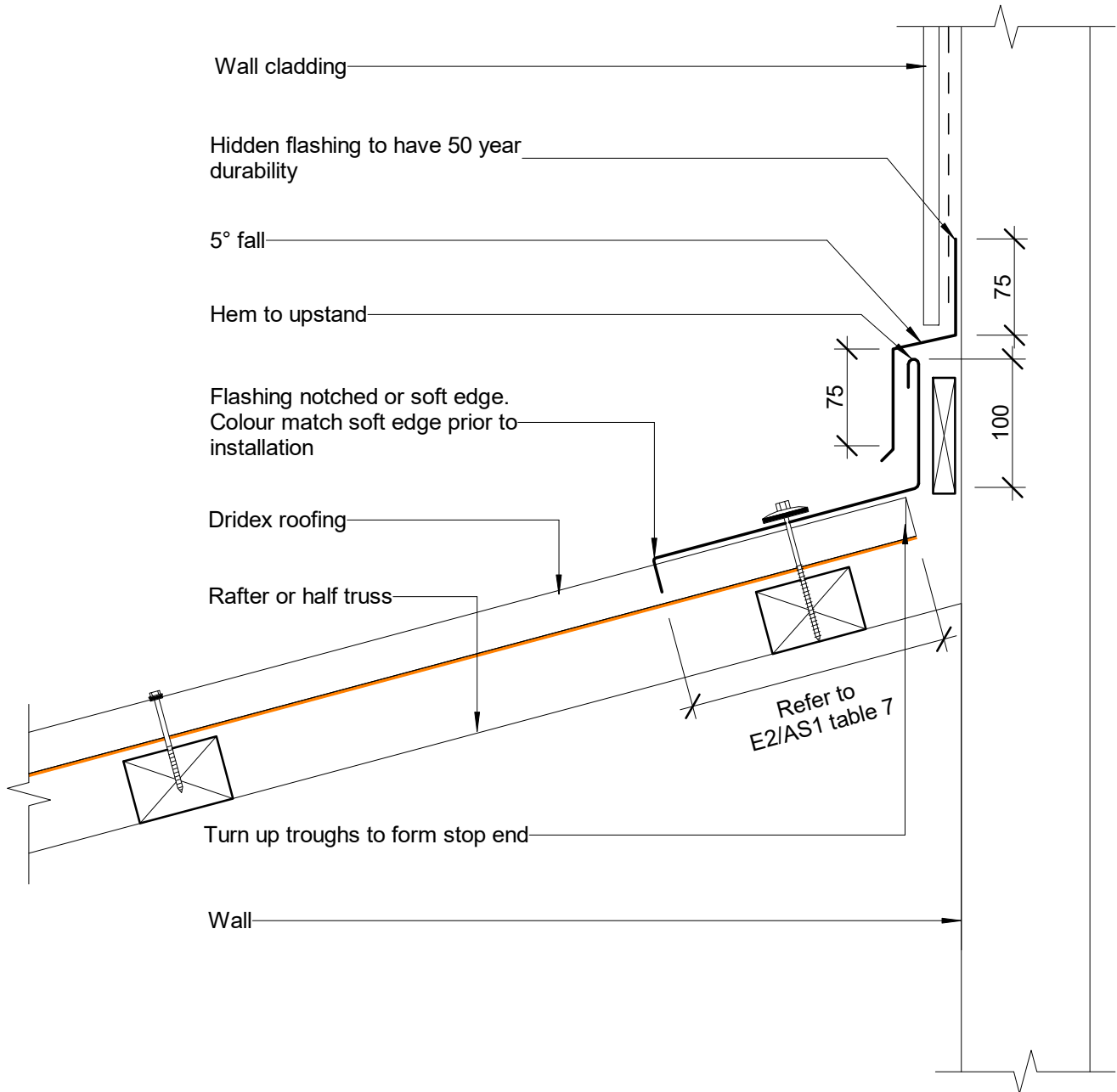
File: DRI_JA14 - Rib Profile Head Parapet Flashing

Scale: 1 : 5

Reference:

Date: January 2021

DRI_JA14



New Zealand Steel Ltd - Details

COLORSTEEL Dridex® Details Rib Profile Head Apron Flashing Cross Section

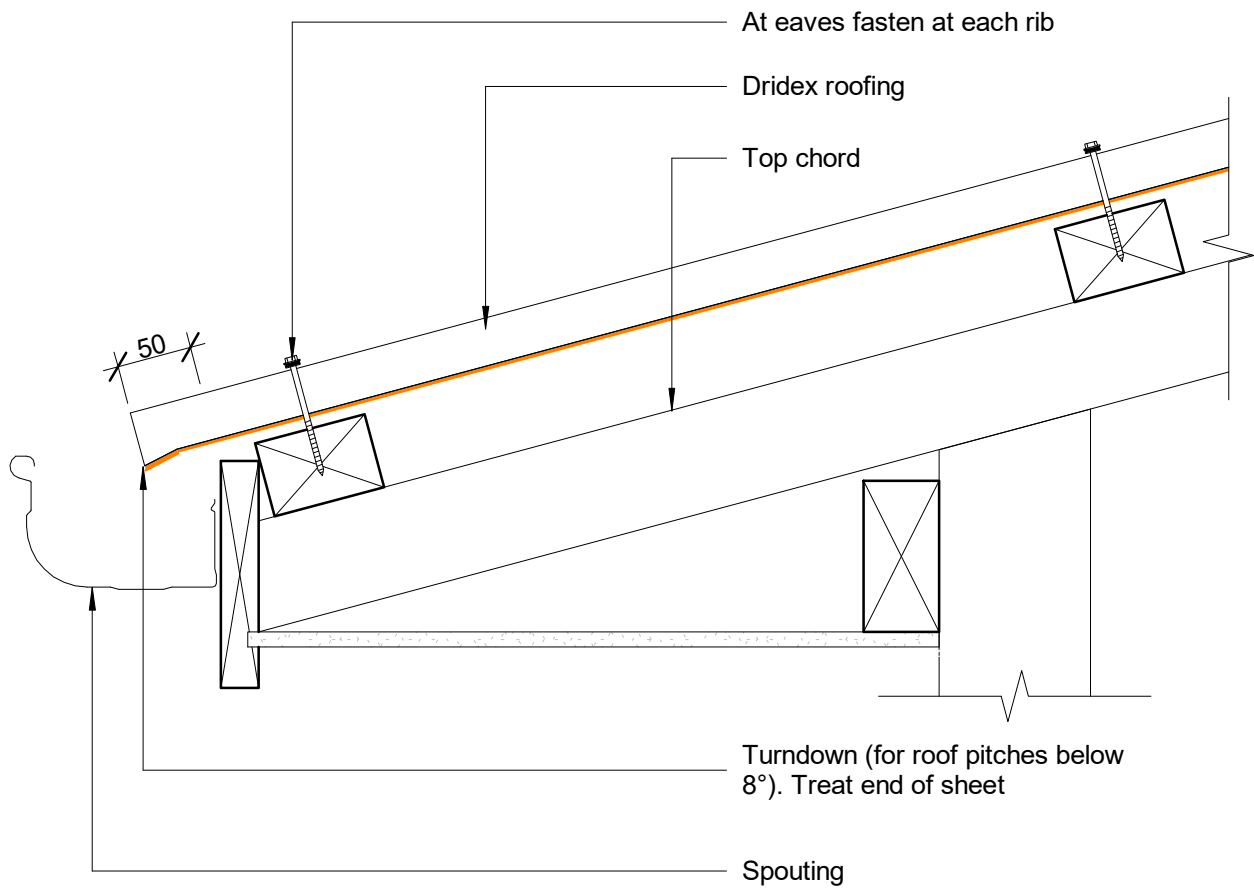
File: DRI_JA15 - Rib Profile Head Apron Flashing

Scale: 1 : 5

Reference:

Date: January 2021

DRI_JA15



New Zealand Steel Ltd - Details

COLORSTEEL Dridex® Details
 9 Rib Profile Eaves Gutter
 4 Cross Section

File: DRI_JA17 - Rib Profile Eaves Gutter

Scale: 1 : 5

Reference:

Date: January 2021

DRI_JA17

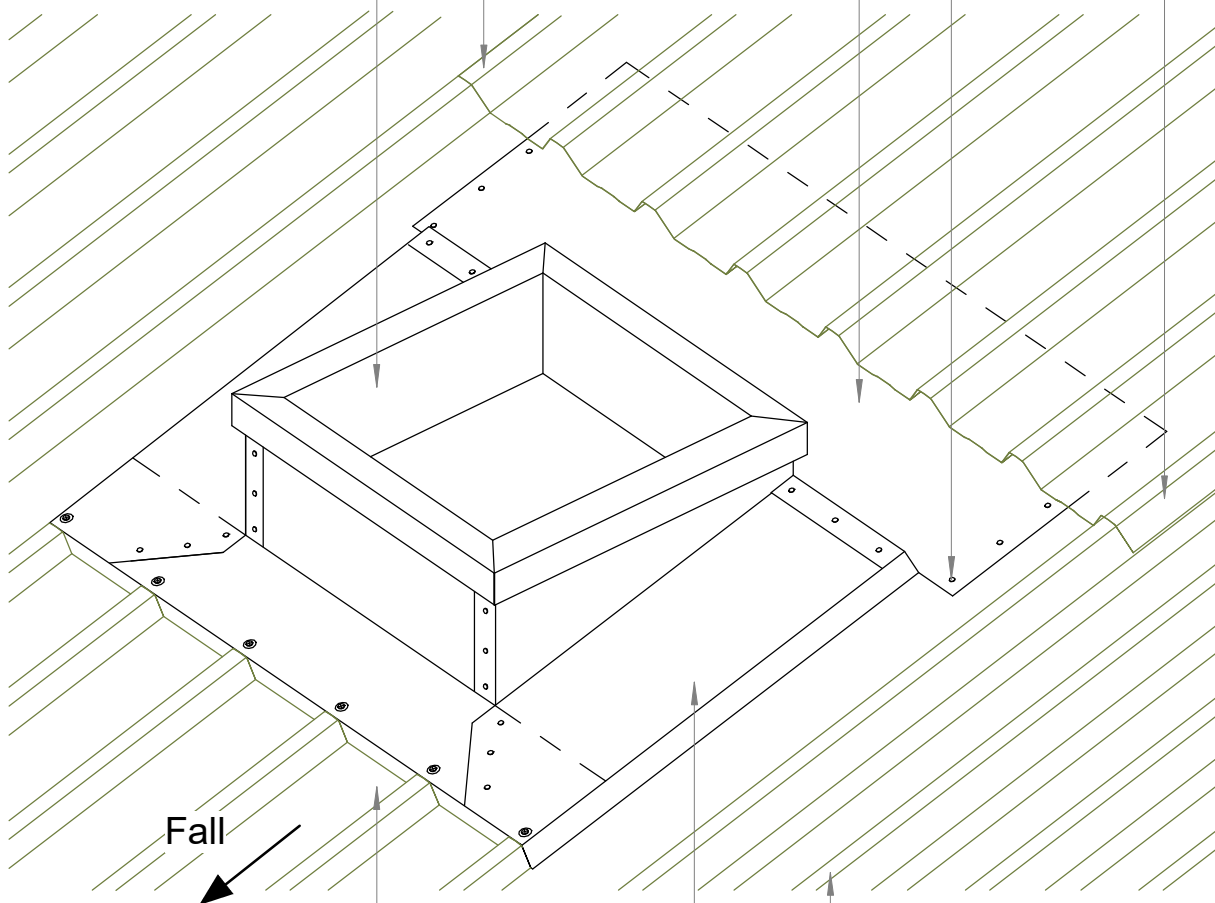
Trim sheet to form overlap
both sides

Seal & rivet

Back tray

Trim sheet to form overlap
both sides

Skylight



Fall

Flashing notched or soft
edged

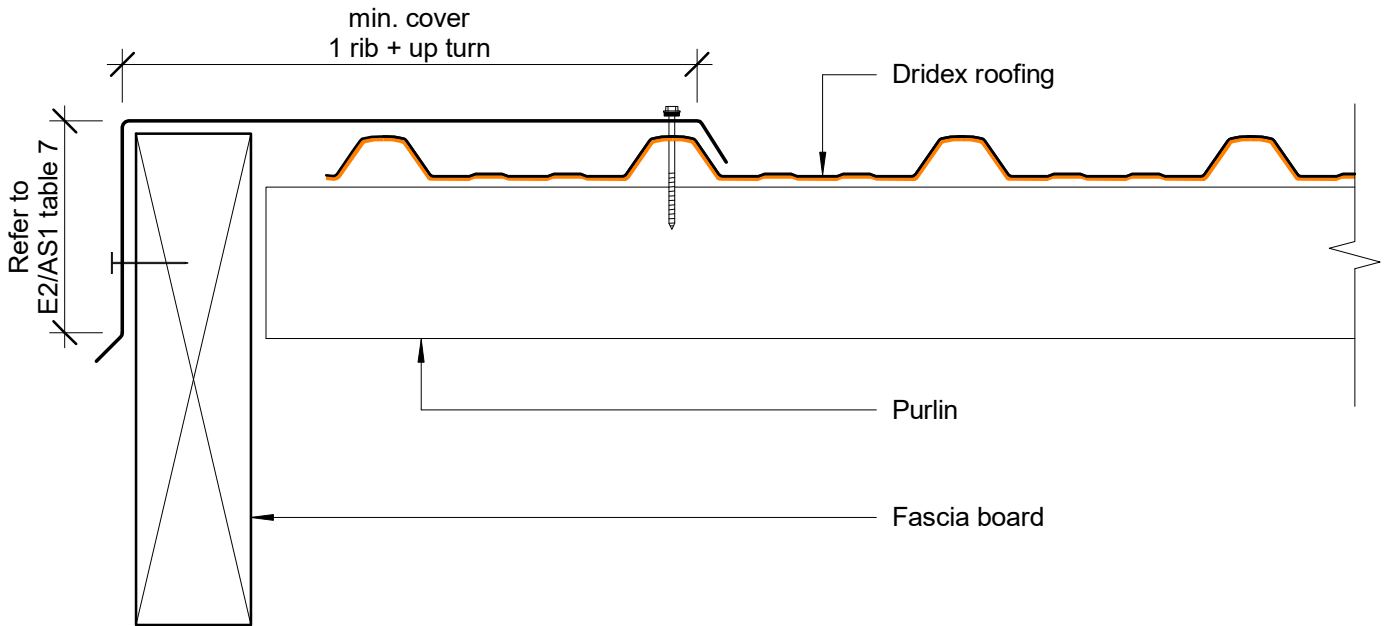
Side apron

Profile Roofing

Laying Sequence:

1. Notched apron or soft edge
2. Side flashing
3. Back flashing

Note: Soft edged flashings to be colour matched prior to installation.



New Zealand Steel Ltd - Details

COLORSTEEL Dridex® Details
Rib Profile Barge Flashing
Cross Section

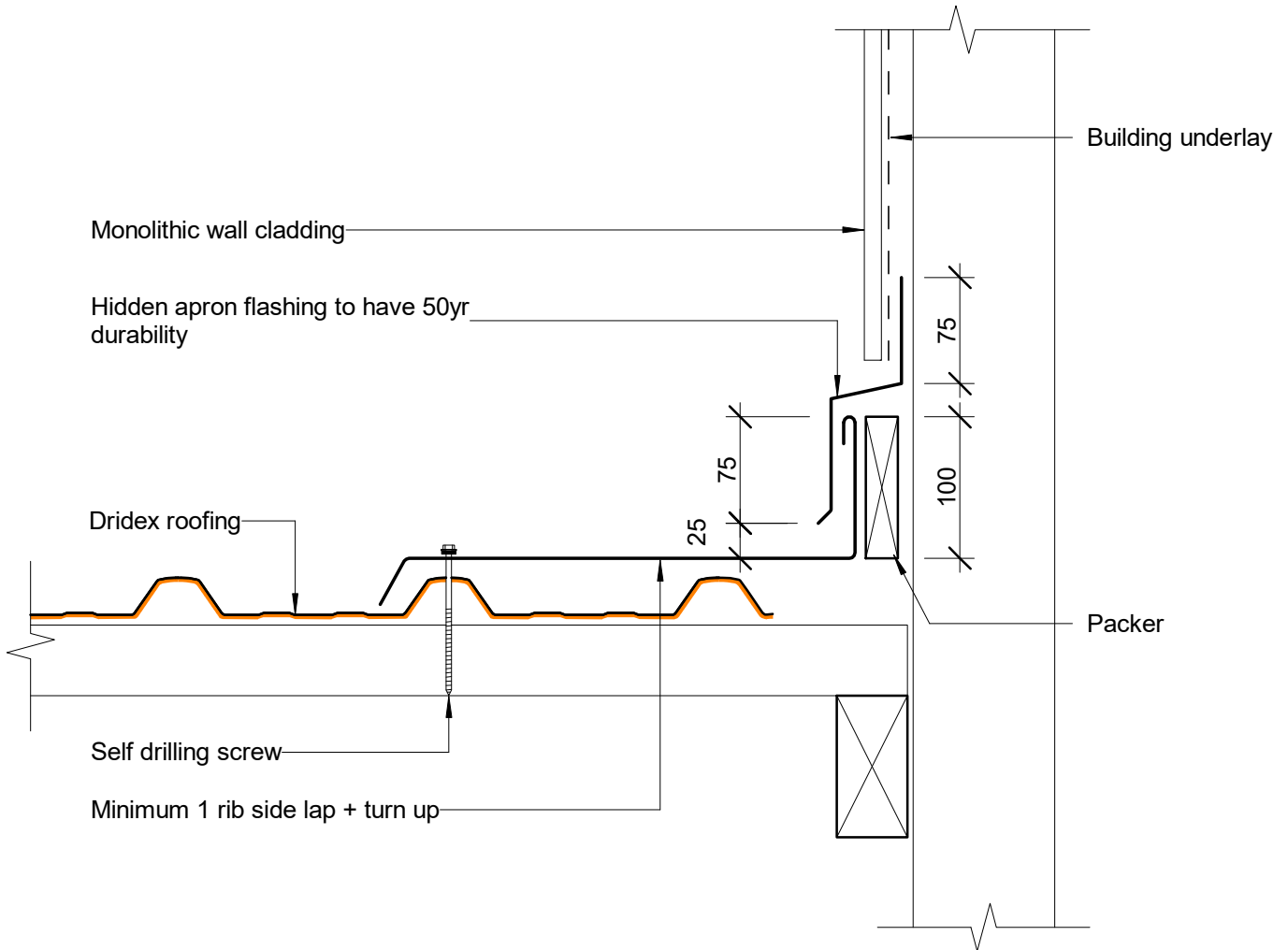
File: DRI_JA23 - Rib Profile Barge Flashing

Scale: 1 : 5

Date: January 2021

Reference:

DRI_JA23



New Zealand Steel Ltd - Details

COLORSTEEL Dridex® Details Rib Profile Apron Flashing (Two Piece) Cross Section

File: DRI_JA26 - Rib Profile Apron Flashing (Two Piece)

Scale: 1 : 5

Reference:

Date: January 2021

DRI_JA26

Trim sheet to form overlap
both sides

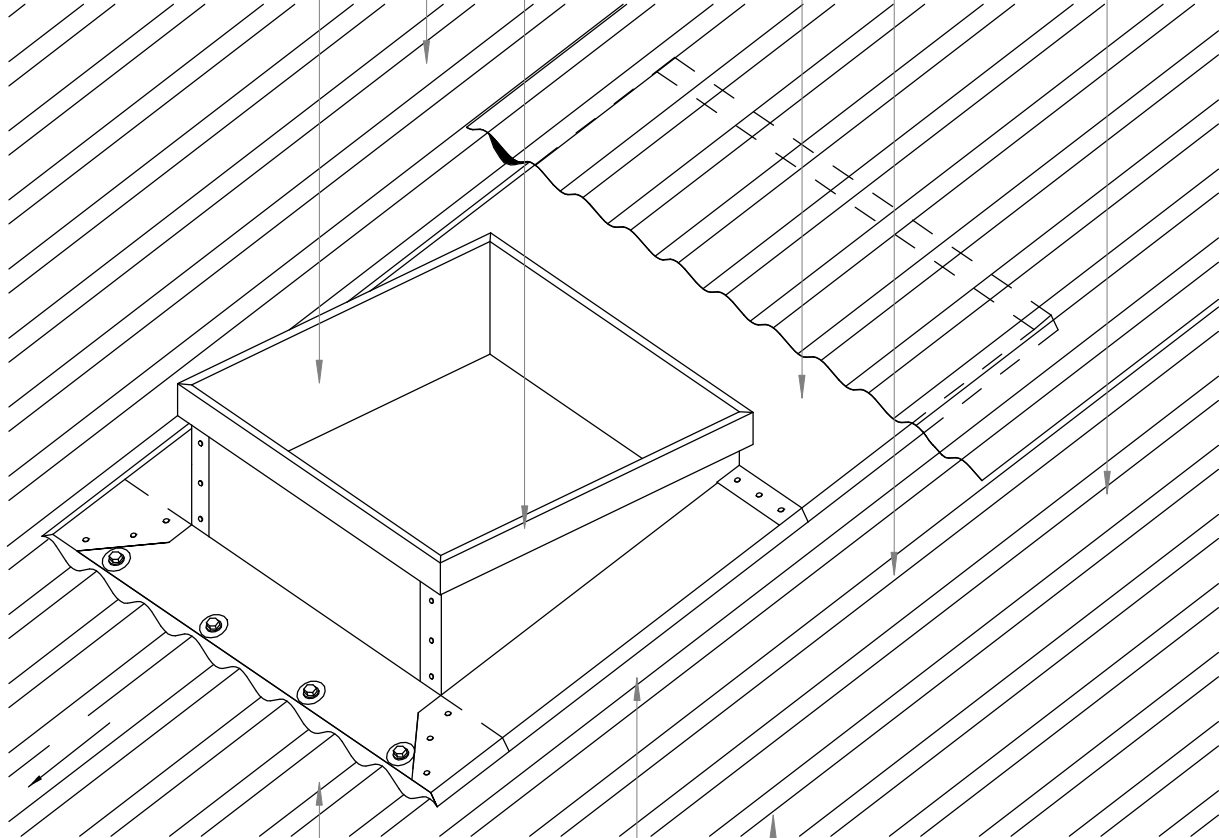
Seal & rivet

Back tray

Cover flashing

Trim sheet to form overlap
both sides

Skylight



Flashing notched or soft
edged

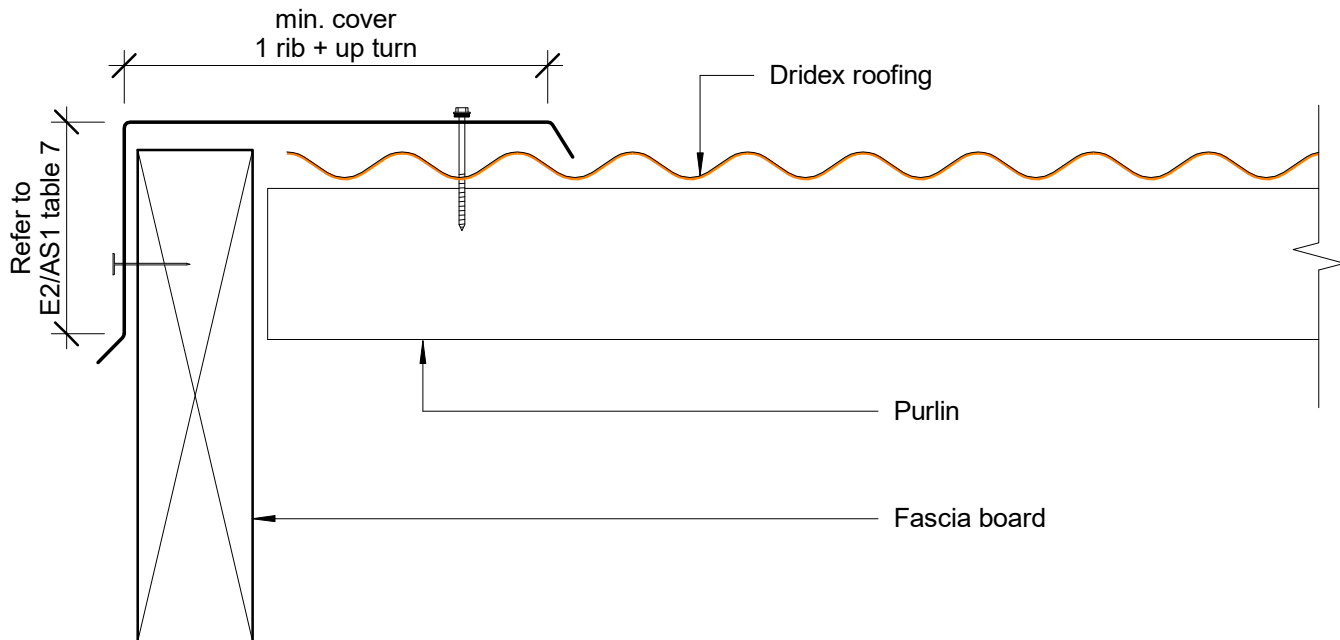
Side apron

Corrugated profile roofing

Laying Sequence:

1. Soft edge apron
2. Side flashing
3. Back flashing

Note: Soft edged flashings to be colour matched prior to installation.



New Zealand Steel Ltd - Details

COLORSTEEL Dridex® Details Corrugated Profile Barge Flashing

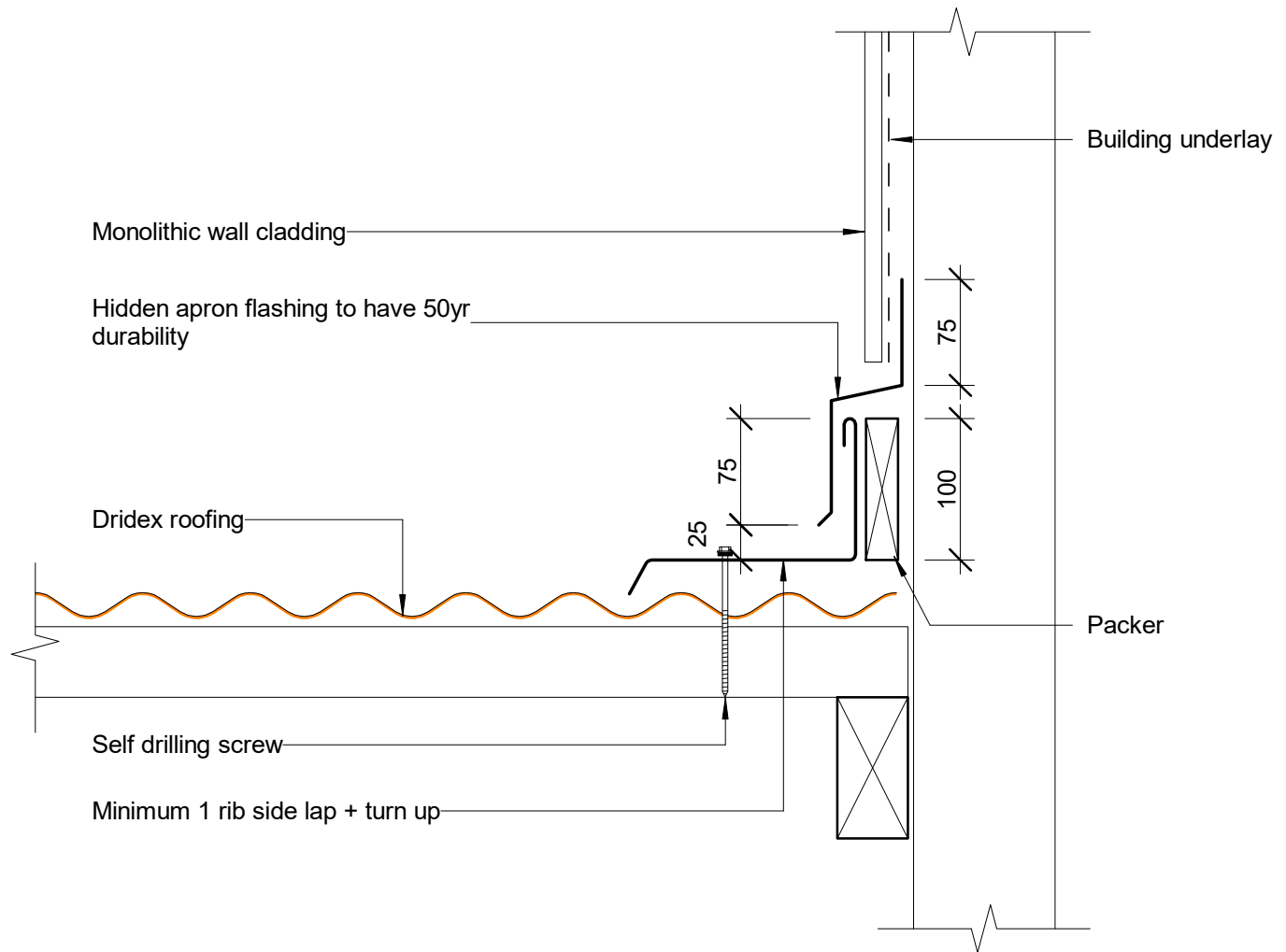
File: DRI_JC23 - Corrugated Profile Barge Flashing

Scale: 1 : 5

Reference:

Date: August 2021

DRI_JC23



New Zealand Steel Ltd - Details

COLORSTEEL Dridex® Details Corrugated Profile Apron Flashing (Two Piece)

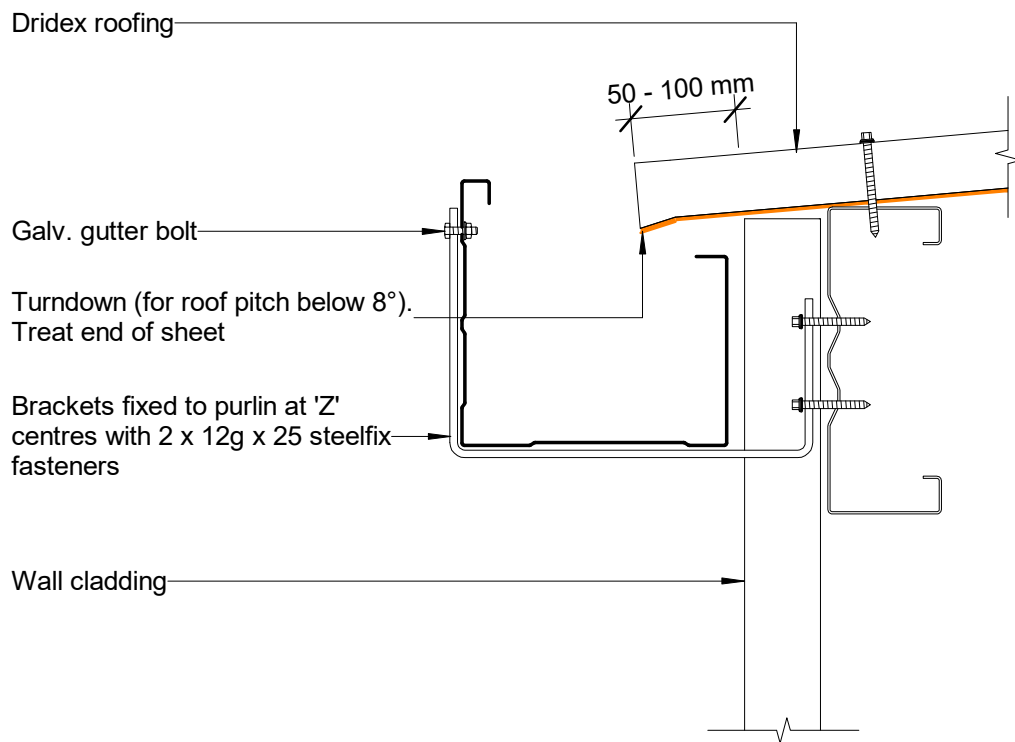
File: DRI_JC26 - Corrugated Profile Apron Flashing (Two Piece)

Scale: 1 : 5

Reference:

Date: August 2021

DRI_JC26



New Zealand Steel Ltd - Details

COLORSTEEL Dridex® Details Gutter Detail Cross Section

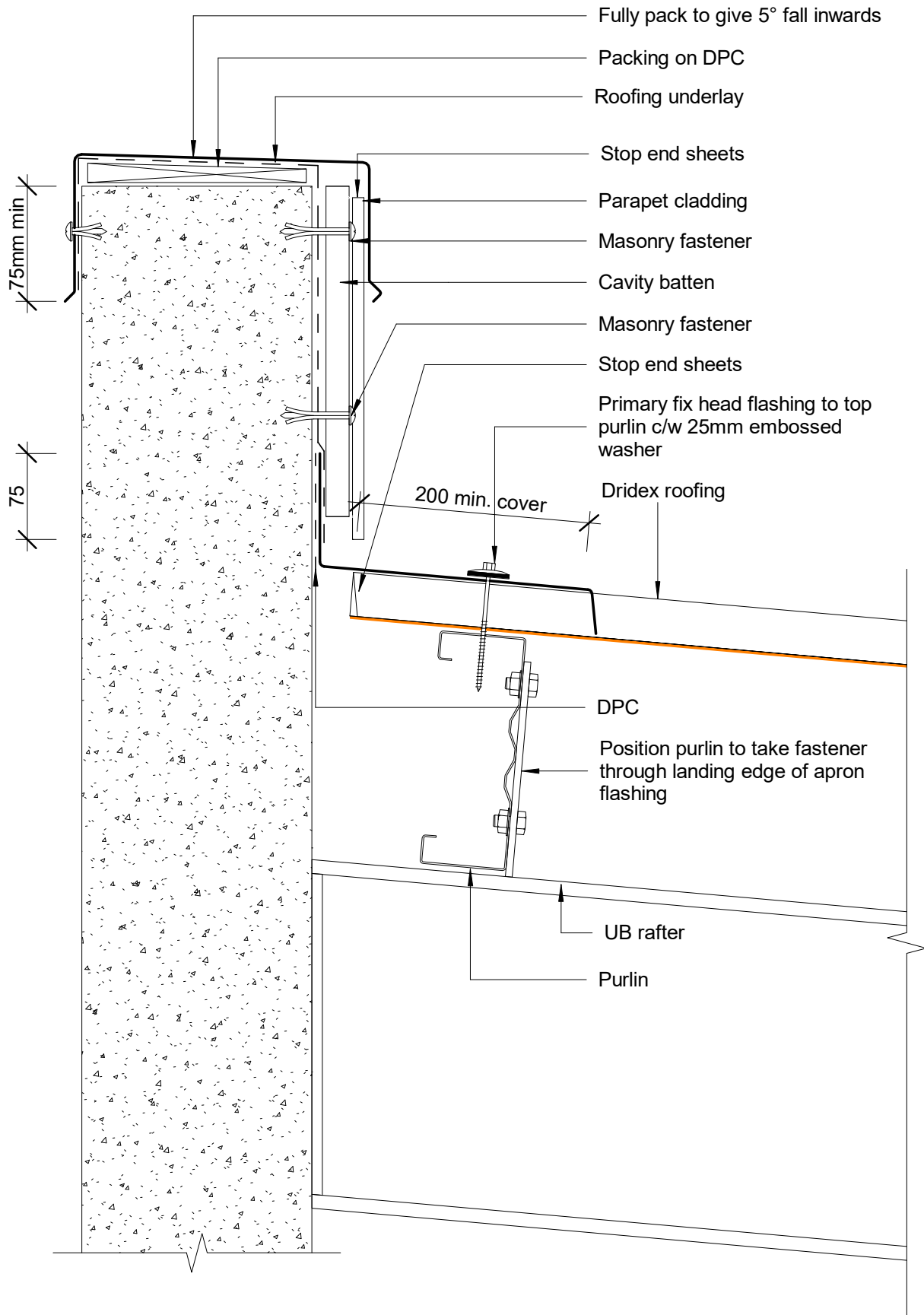
File: DRI_MB05 - Gutter Detail

Scale: 1 : 5

Date: January 2021

Reference:

DRI_MB05



New Zealand Steel Ltd - Details

COLORSTEEL Dridex® Details Lined Parapet Head Flashing Cross Section

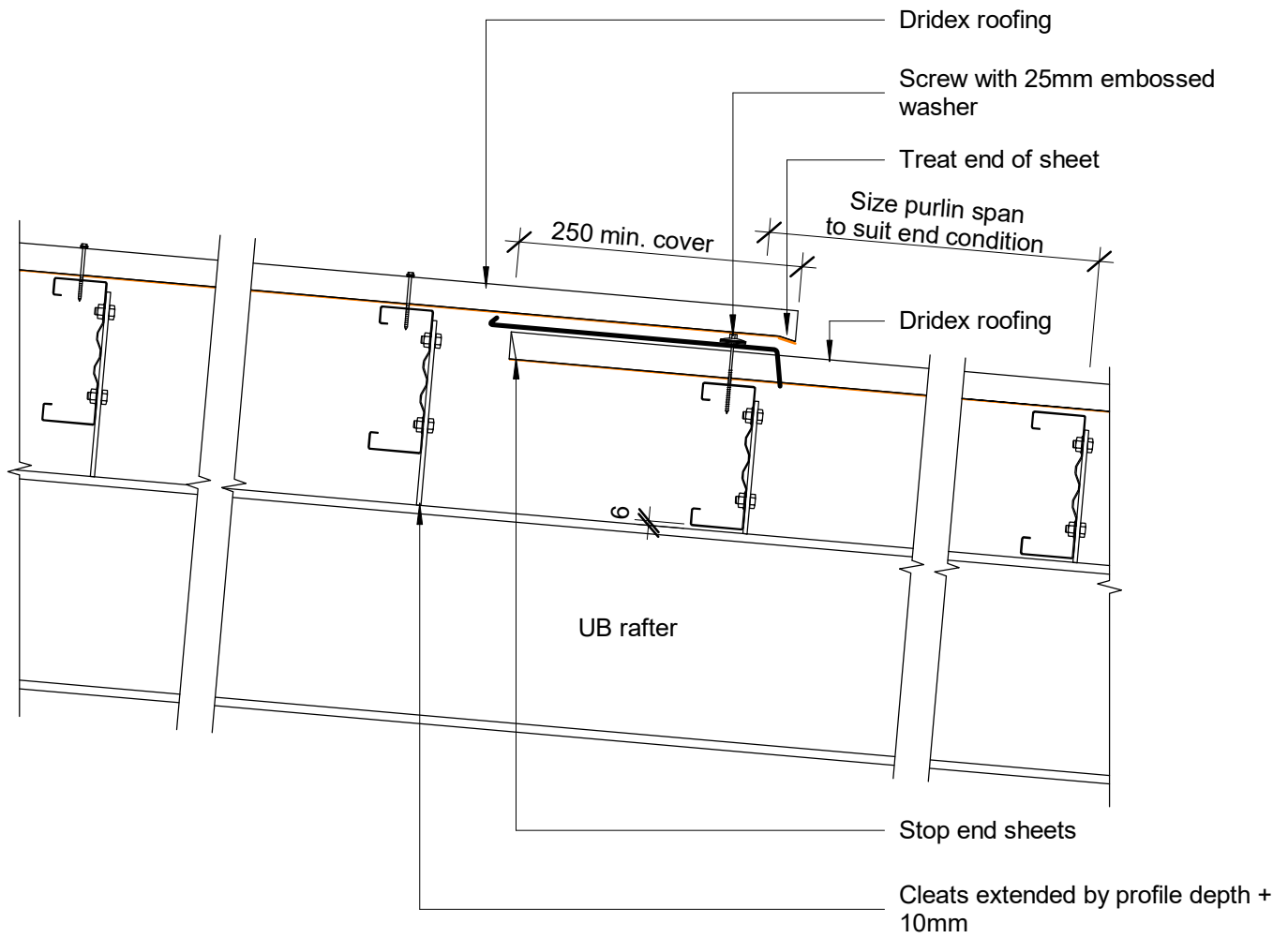
File: DRI_MB08 - Lined Parapet Head Flashing

Scale: 1 : 5

Reference:

Date: January 2021

DRI_MB08



New Zealand Steel Ltd - Details

COLORSTEEL Dridex® Details Step Flashing Extended Purlin Cleats Cross Section

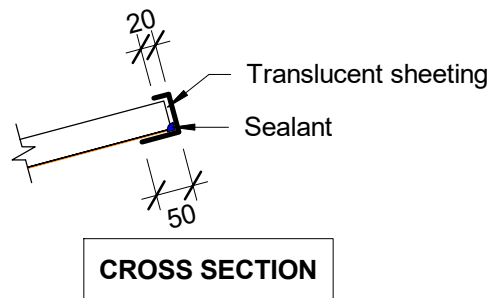
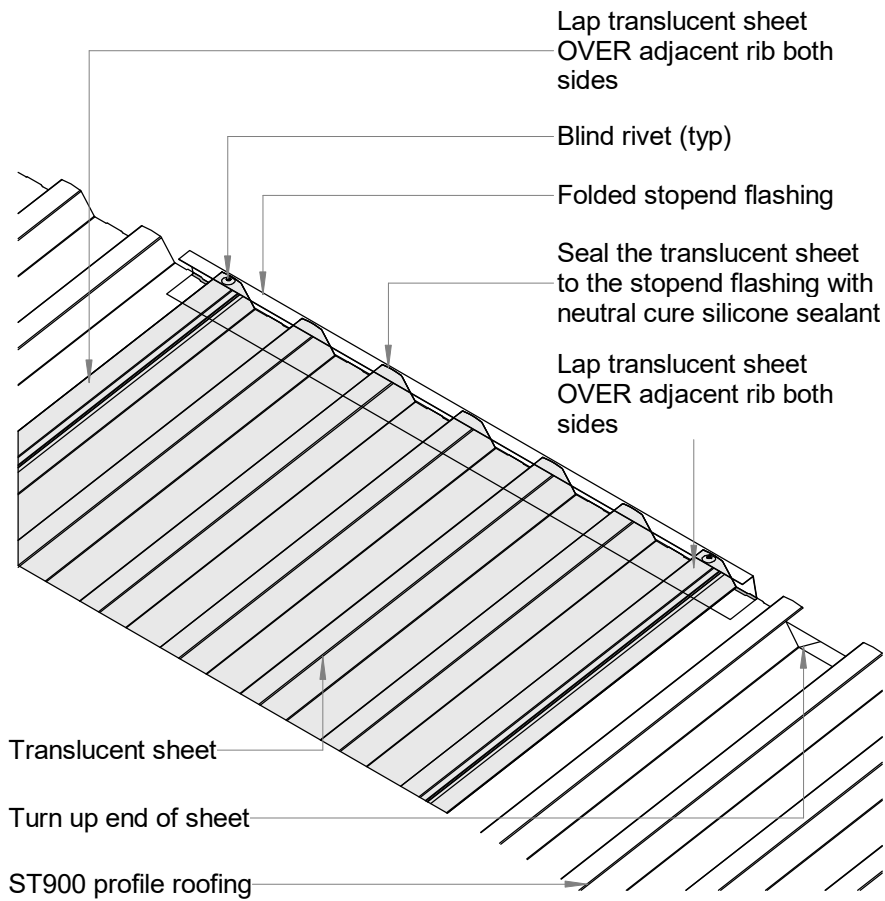
File: DRI_MB14 - Step Flashing Extended Purlin Cleats

Scale: 1 : 10

Reference:

Date: January 2021

DRI_MB14



New Zealand Steel Ltd - Details

COLORSTEEL Dridex® Details
 Rib Translucent Sheet Stop-end
 Isometric View

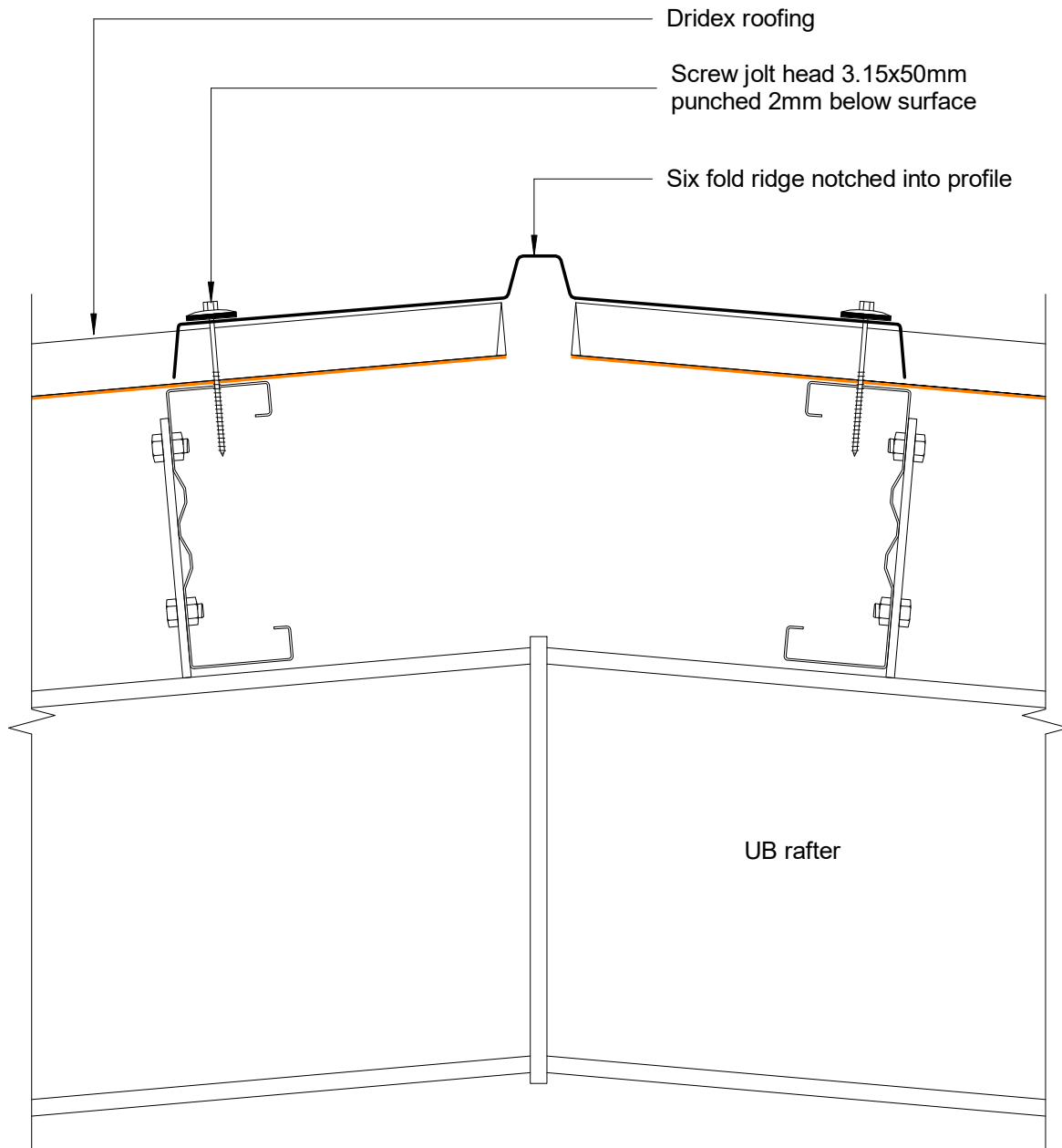
File: DRI_MB16 - Rib Translucent Sheet Stop-end

Scale: 1 : 10

Reference:

Date: January 2021

DRI_MB16



Note: Position apex purlins to take leading edge of ridge flashing

New Zealand Steel Ltd - Details

COLORSTEEL Dridex® Details
Rib Ridge Apex
Cross Section

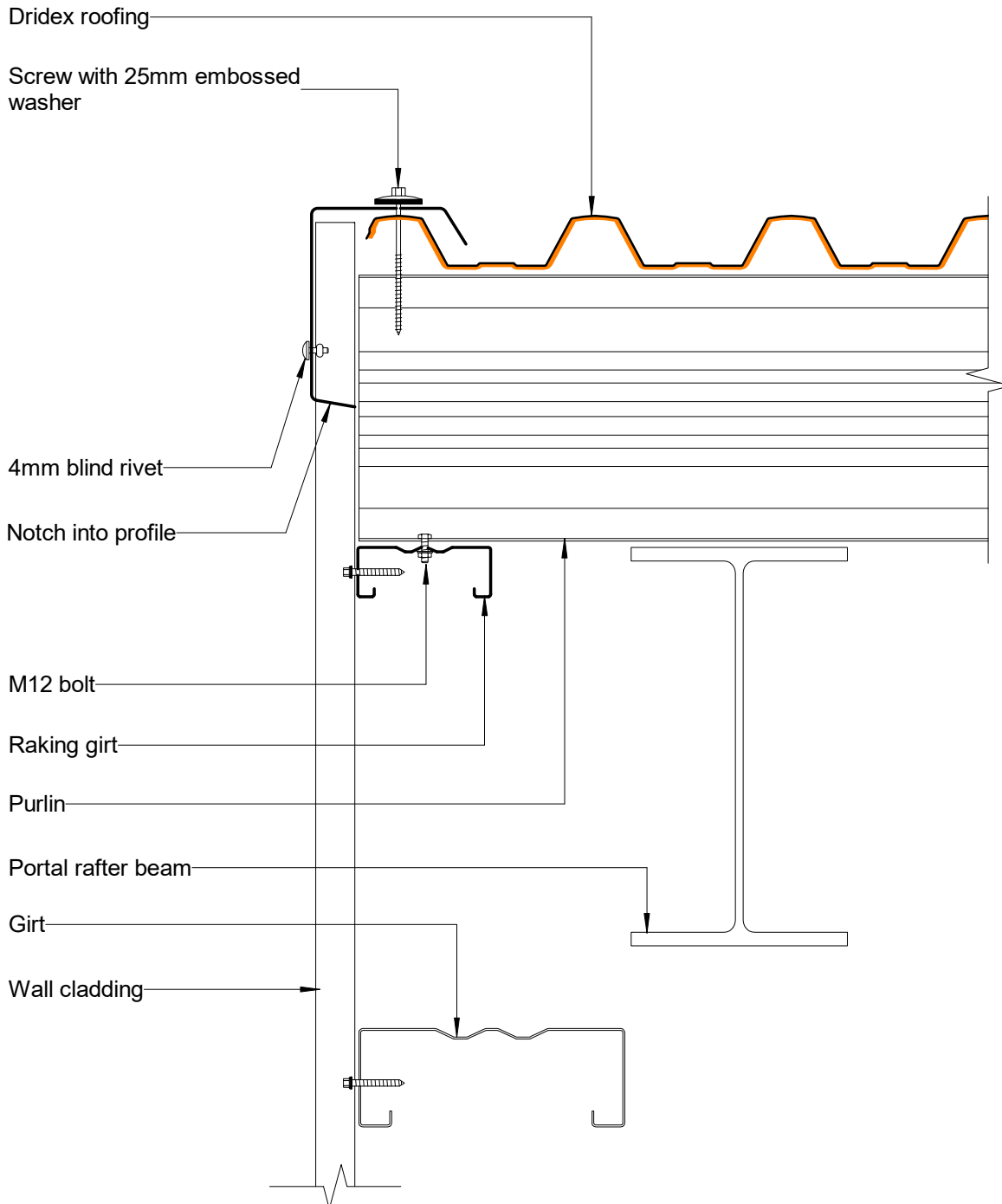
File: DRI_MB17 - Rib Ridge Apex

Scale: 1 : 5

Date: January 2021

Reference:

DRI_MB17



Dridex roofing

Screw with 25mm embossed washer

4mm blind rivet

Notch into profile

M12 bolt

Raking girt

Purlin

Portal rafter beam

Girt

Wall cladding

New Zealand Steel Ltd - Details

COLORSTEEL Dridex® Details Rib Barge Flashing Cross Section

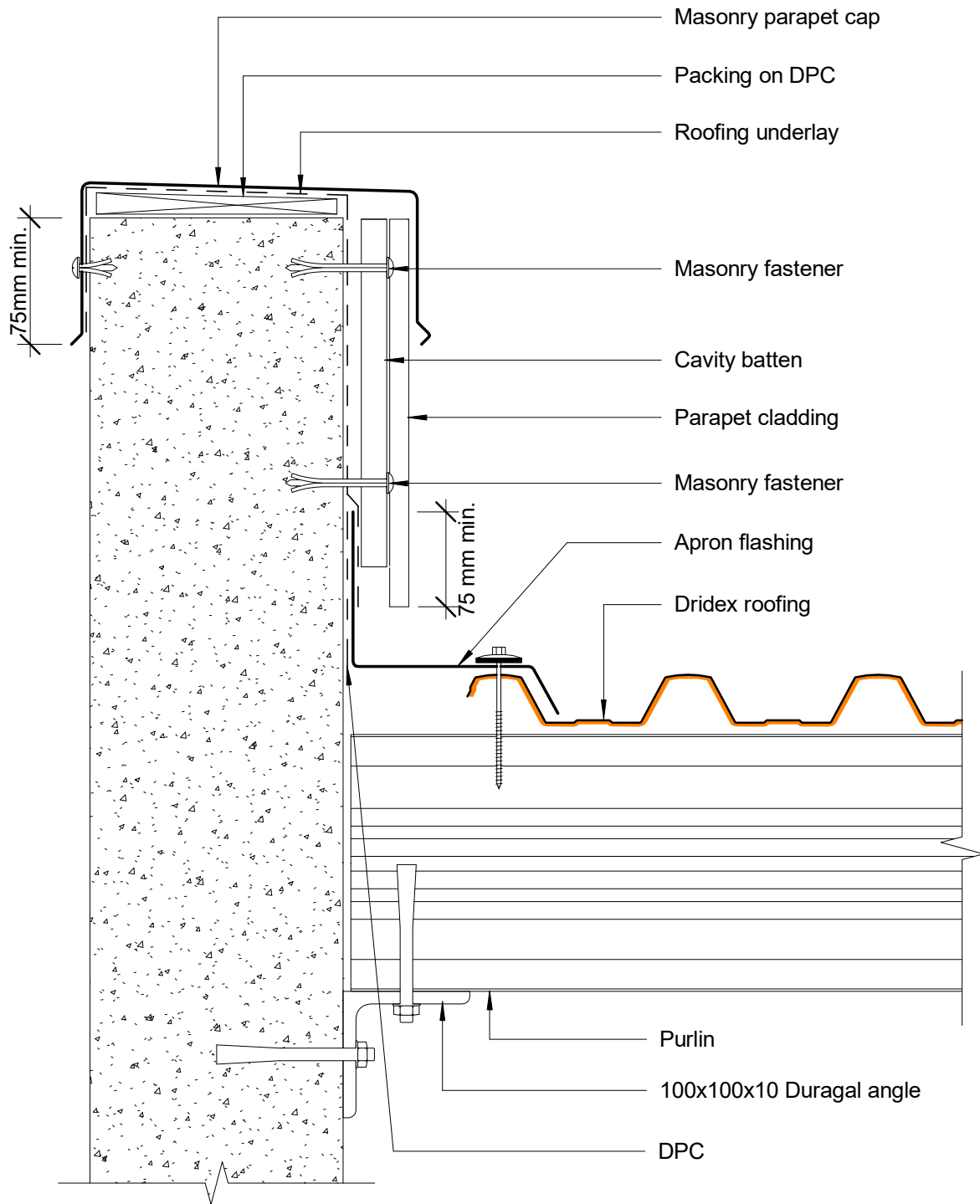
File: DRI_MB18 - Rib Barge Flashing

Scale: 1 : 5

Date: January 2021

Reference:

DRI_MB18



New Zealand Steel Ltd - Details

COLORSTEEL Dridex® Details Lined Parapet Side Flashing Cross Section

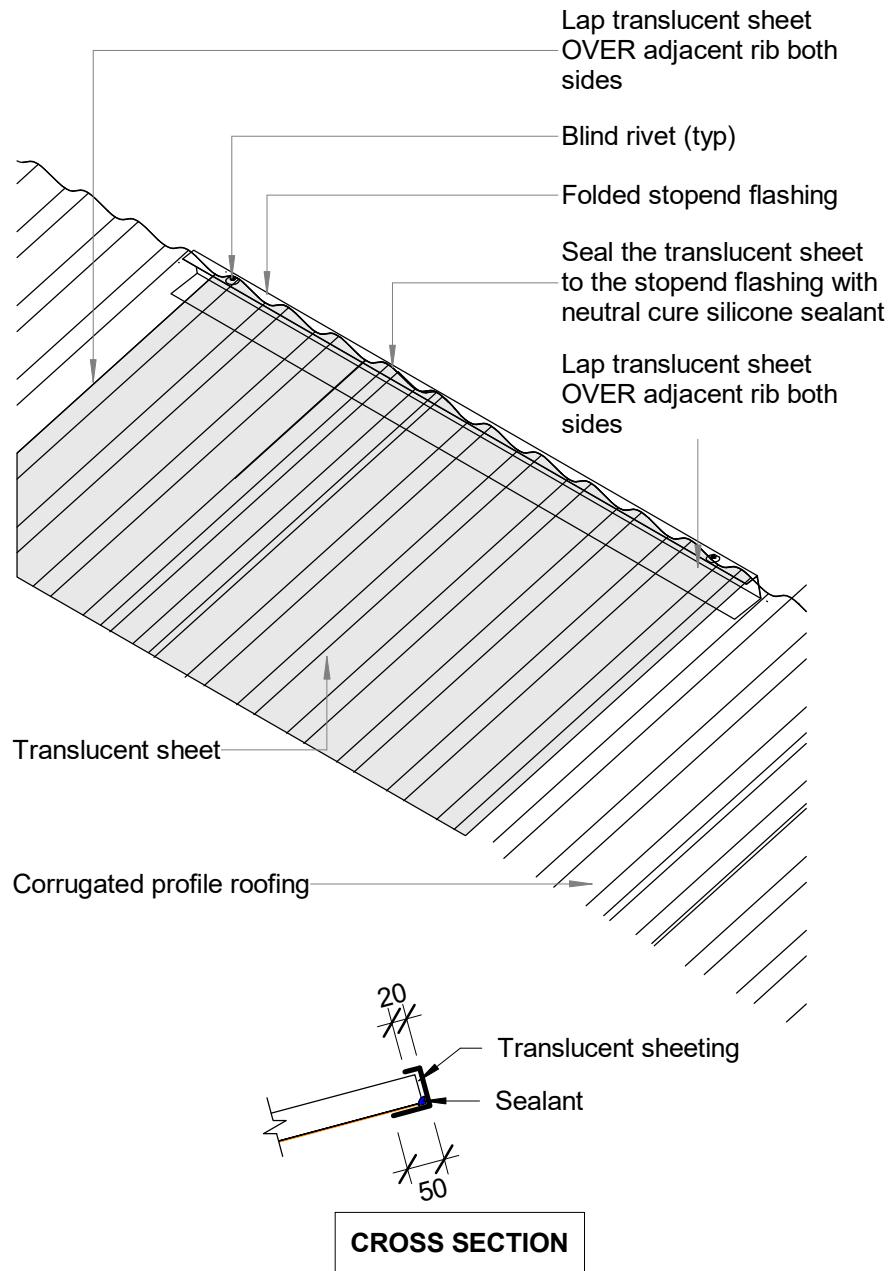
File: DRI_MB23 - Lined Parapet Side Flashing

Scale: 1 : 5

Reference:

Date: January 2021

DRI_MB23



New Zealand Steel Ltd - Details

COLORSTEEL Dridex® Details Corrugated Translucent Sheet Stop-end

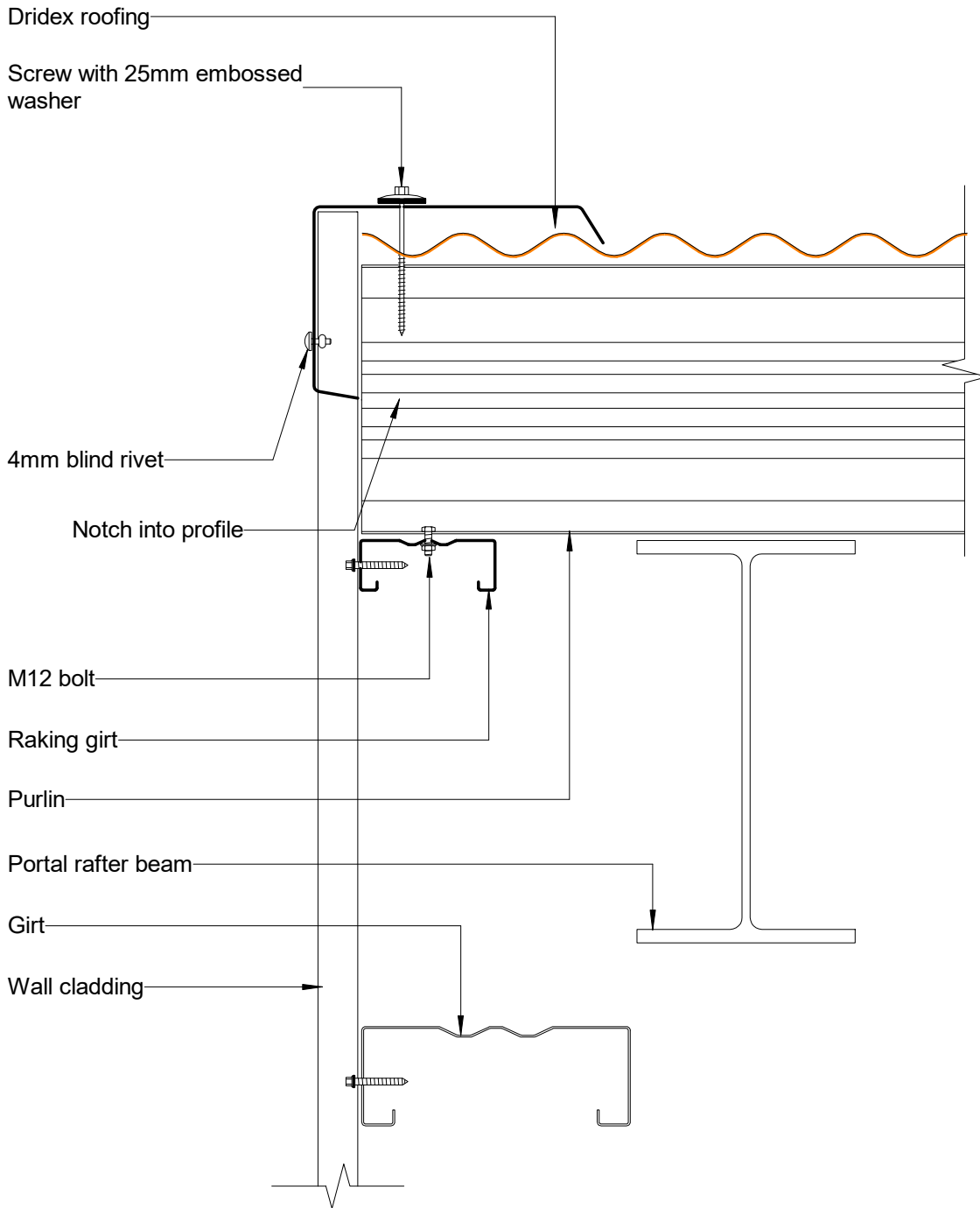
File: DRI_MC16 - Corrugated Translucent Sheet Stop-end

Scale: 1 : 10

Reference:

Date: August 2021

DRI_MC16



New Zealand Steel Ltd - Details

COLORSTEEL Dridex® Details Corrugated Barge Flashing

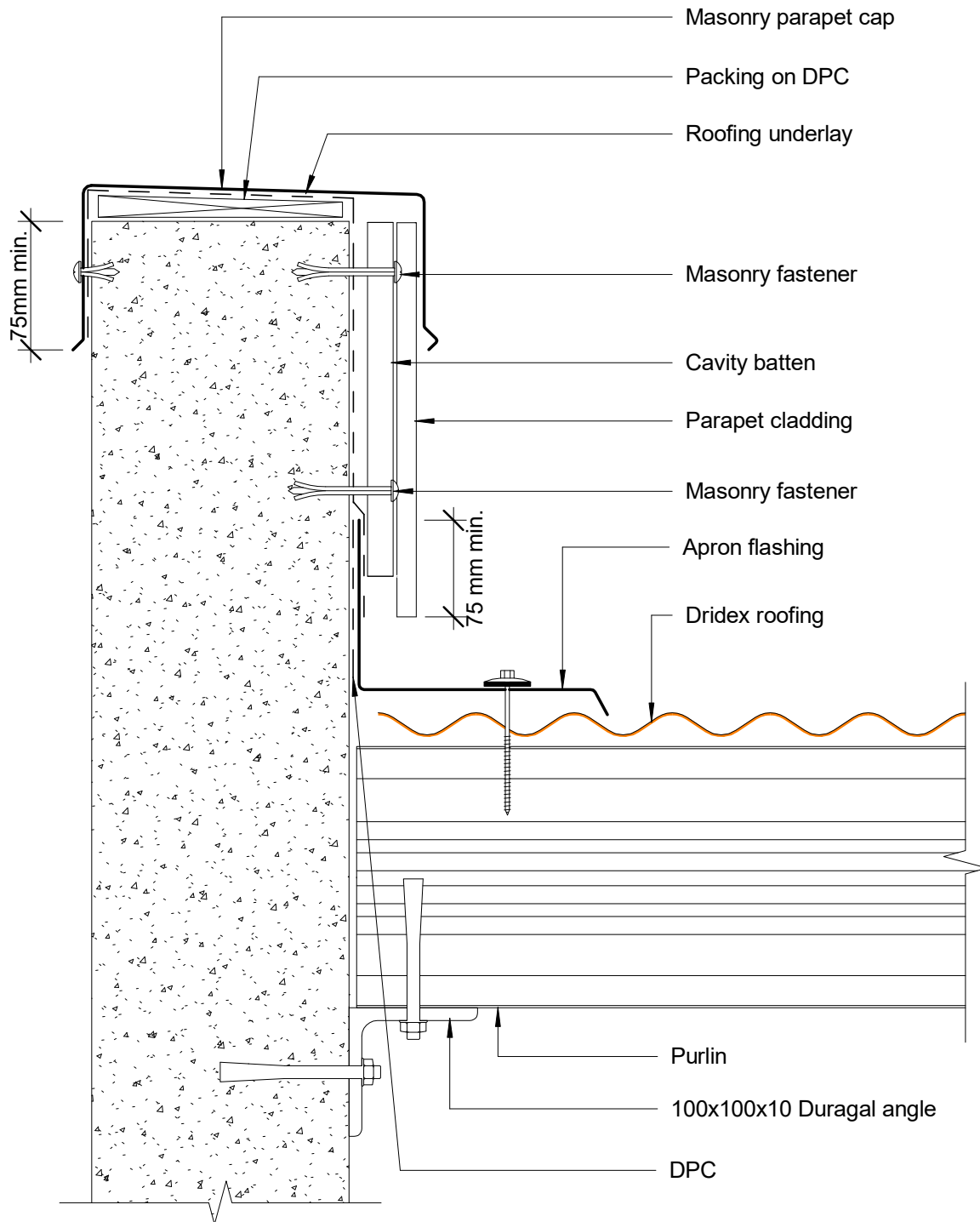
File: DRI_MC18 - Corrugated Barge Flashing

Scale: 1 : 5

Reference:

Date: August 2021

DRI_MC18



New Zealand Steel Ltd - Details

COLORSTEEL Dridex® Details Corrugated Lined Parapet Side Flashing

File: DRI_MC23 - Corrugated Lined Parapet Side Flashing

Scale: 1 : 5

Reference:

Date: August 2021

DRI_MC23